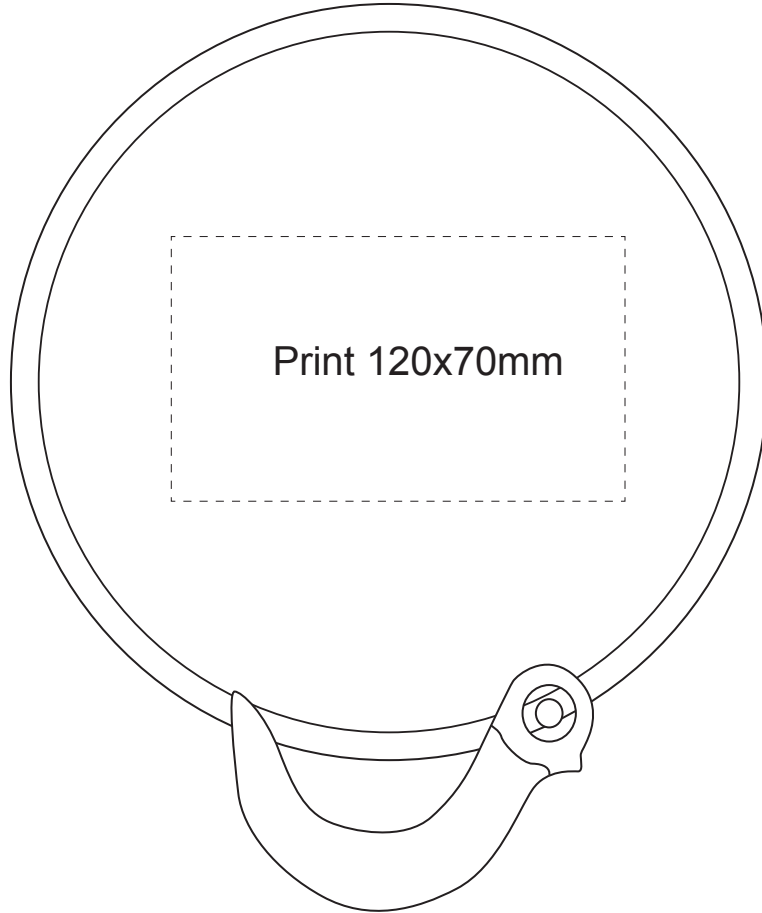


ART APPROVAL

Art approval offers two free corrections. Subsequent changes incur a \$15 plus GST fee per change.

Proof no. _____



SHOW AT 50%

Job Name: _____

Approved by _____

Product: _____

Signature _____

Quantity: _____

Prod Colour: _____

Date _____

Print Colour: _____

*I have checked this approval / proof and all details are correct.
This job is approved to proceed to production immediately.
I acknowledge and accept your general terms and conditions.*